

Width=540mm
Depth=450mm/600mm

Load Capacity: 60kgs.

Standard Heights:
4 different U heights: 7U,9U,12U, 16U

Standards, and Compliances:



ISO 9001:2008
Quality Management System

EN 61587 -1:2012
Mechanical Structures for
Electronic Equipment

IEC 297-1, 19" mounting
IEC 297-2 Overall cabinet dimentions



CE conform to
EN 60950-1:2006
Information Technology
Equipment – Safety – Part-1-
General Requirements

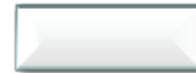


Environment Friendly;
*Environmental awareness
*RoHS compliancy
*% 100 Recyclable
Material



EURObox Wall Mounting series Enclosures with 19" w:540mm and d:450/600mm sizes, in 4 different U heights, gives a wide selection chart for users.

Standard Color:



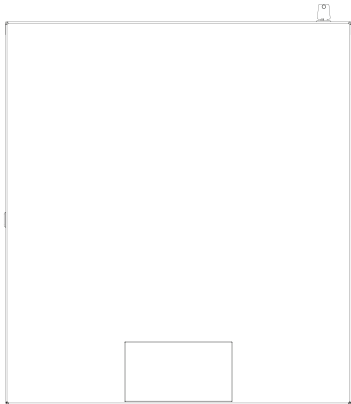
RAL 7035 Light Grey
(Stock Delivery)

Optional Color:

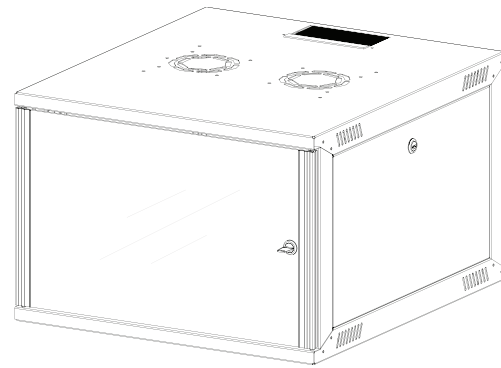


RAL 9005 Black

CONSTRUCTION
DRAWINGS



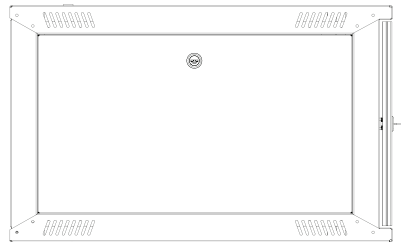
BOTTOM VIEW



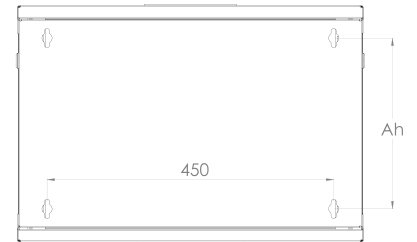
ISOMETRIC VIEW



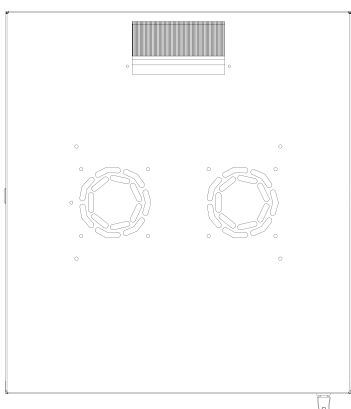
FRONT VIEW



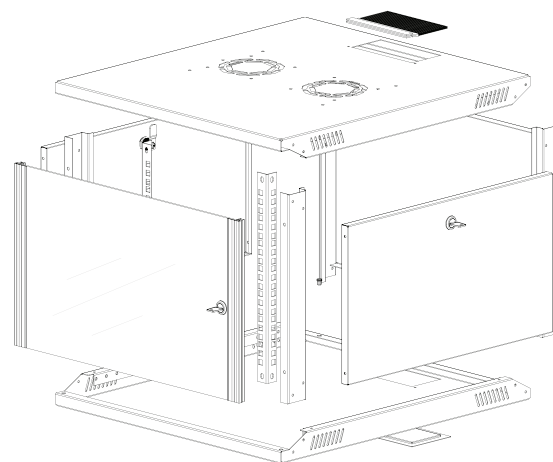
SIDE VIEW



REAR VIEW



TOP VIEW



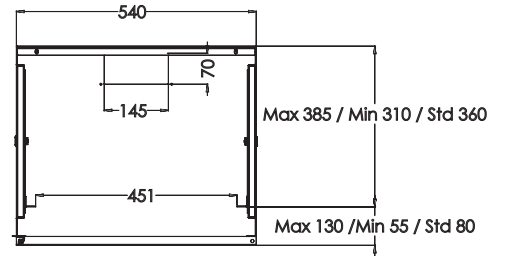
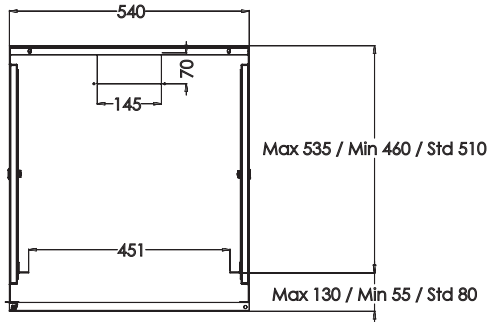
EXPLODED VIEW

CONSTRUCTION DRAWINGS

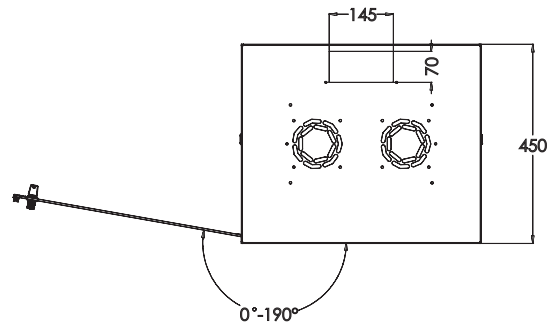
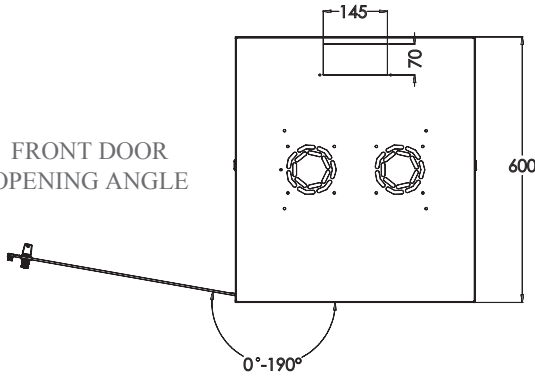
D=600

D=450

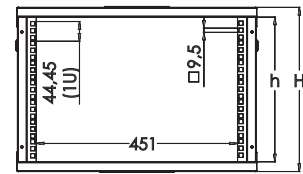
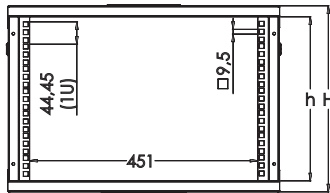
MAX/STD/MIN EQUIPMENT MOUNTING DISTANCE



FRONT DOOR OPENING ANGLE



DIMENSIONS IN WIDTH AND HEIGHT



EURObox Series Wall Mounting 19" Cabinets W=540mm D=450/600mm.

ROOT Product Number ***	Product Description	Size WxDxH mm	h size in U	h in mm	*H mm, overall without feet and/or castor	Width Overall mm	Ah Wall Mounting h mm	Width Rail to mm	Depth Overall mm	**Depth Shipping Conf. Rail to Rear Panel mm	QTY IN PACKAGE	PACKING DIMENSIONS WxDxH mm	Standard NET Weight of product kgs	Gross Weight of Product kgs	QTY IN PALETTE	PALETTE DIMENSIONS WxDxH mm	Palette Weight kgs
LN-EUBOX07U5445-LG-1	7U 19" Wall Mounting Cabinets W=540mm D=450mm	540x450x373	7U	311	373	540	268	19"	450	360	1	560x470x400	12,5	12,9	20	1000x1200x2150	278
LN-EUBOX09U5445-LG-1	9U 19" Wall Mounting Cabinets W=540mm D=450mm	540x450x462	9U	400	462	540	367	19"	450	360	1	560x470x460	14	14,6	16	1000x1200x2000	263
LN-EUBOX12U5445-LG-1	12U 19" Wall Mounting Cabinets W=540mm D=450mm	540x450x596	12U	533	596	540	490	19"	450	360	1	560x470x595	16,5	17,2	12	1000x1200x1950	226
LN-EUBOX16U5445-LG-1	16U 19" Wall Mounting Cabinets W=540mm D=450mm	540x450x773	16U	711	773	540	668	19"	450	360	1	560x470x800	18	19	10	1000x1200x2350	210
LN-EUBOX07U5460-LG-1	7U 19" Wall Mounting Cabinets W=540mm D=600mm	540x600x373	7U	311	373	540	268	19"	600	510	1	560x620x400	15	15,6	20	1100x1300x2150	346
LN-EUBOX09U5460-LG-1	9U 19" Wall Mounting Cabinets W=540mm D=600mm	540x600x462	9U	400	462	540	367	19"	600	510	1	560x620x460	16,5	17,2	16	1100x1300x2000	300
LN-EUBOX12U5460-LG-1	12U 19" Wall Mounting Cabinets W=540mm D=600mm	540x600x596	12U	533	596	540	490	19"	600	510	1	560x620x595	20	21	12	1100x1300x1950	277
LN-EUBOX16U5460-LG-1	16U 19" Wall Mounting Cabinets W=540mm D=600mm	540x600x773	16U	711	773	540	668	19"	600	510	1	560x620x800	23,5	24,7	10	1100x1300x2350	272



* Please add 30mm to H mm once used with Leveling Feet, add 70mm to H mm once used with castor set.

** See min and max Adjustable depth variations on drawings.

***LG= defines Light Grey RAL 7035 standard stock color , for Black RAL 9005 define BL and keep correspondence with your sales representative, 1 defines the glass front door, incase Solid Metal door required, please replace 1 with 2.